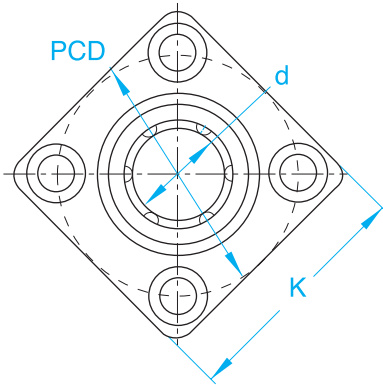
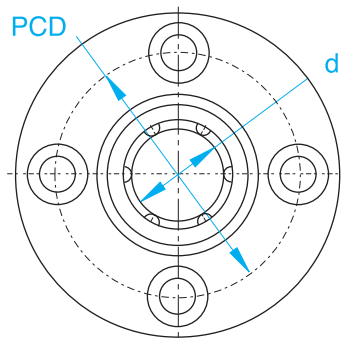


### LFE series

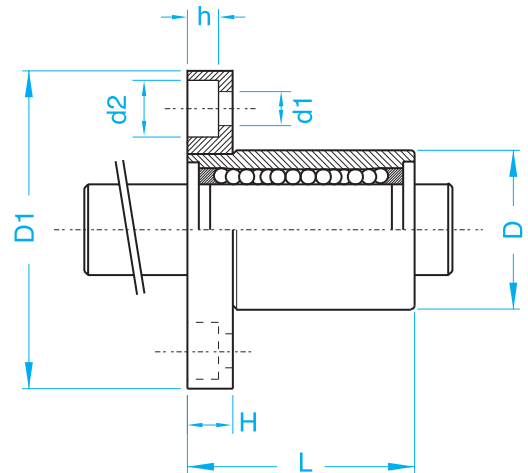
### European Flange Type



Type : D



Type : N



Unit : mm

Model No.	Basic Dimension												Load (Kgf)		Weight(g)	
	d	D	D tolerance (μm)	L	L tolerance (μm)	D1	D1 tolerance (μm)	H	PCD	K	d1	d2	h	Dynamic load rating (Ca)		Static load rating (Coa)
LFE8UU	8	16	0/-8	25		32		5	24	25	3.4	6.5	3.3	260	400	44
LFE12UU	12	22	0	32		42		6	32	32	4.5	8	4.4	500	770	86
LFE16UU	16	26	-9	36	0	46	0	6	36	35	4.5	8	4.4	570	890	120
LFE20UU	20	32	0	45	-20	54	-0.2	8	43	42	5.5	9.5	5.4	860	1370	184
LFE25UU	25	40		58		62		8	51	50	5.5	9.5	5.4	980	1560	335
LFE30UU	30	47	-11	68		76		10	62	60	6.6	11	6.5	1560	2740	545
LFE40UU	40	62	0	80	0	98	0	13	80	75	9	14	8.6	2150	4010	1185
LFE50UU	50	75	-13	100	-30	112	-0.3	13	94	88	9	14	8.6	3820	7830	1730

Note : UU with oil seals in ends